

## LO-MC-1000C2S

### 100/1000M Ethernet Fiber Media Converter

LO-MC-1000C2S Fiber Converter has two SFP sockets, that allows flexible fiber conversion between single-mode, multi-mode, single-stand and xWDM wavelengths. It can convert two optical digital signals of SFP modules, which have same speed, among different wavelength, different distance and different mode. It is popular application in all kind of optical digital signals, like Ethernet signals, ATM signals, SDH signals, and control signals etc.

The converters can be used as a stand-alone unit or as a slide-in module to the LightOptics Media Converter Chassis, LO-MC-CH14AC. As the other LightOptics media converters, they're hot swappable in Chassis.



#### Technical Specifications:

Product Name	100/1000M Media Converter 2 SFP port
Product Model	LO-MC-1000C2S
Interface	2x 100/1000Mbps SFP port
Standards	SFP-MSA SFP standard
	SFF-8472 standard
	IEEE802.3u 100Base-TX and 100Base-FX IEEE 802.3ab/z 1000Base-TX and 1000Base-SX/LX
Forwarding Mode	Forward
LED Indicators	SFP1 – Port 1 status
	SFP2 – Port 2 status
	PRW – Power status
Forwarding Rate:	100M: 1488000pps/port
	1000M: 1488000pps/port
Fiber Media	SFP Slot
Power Supply (external power)	Input: AC 100-250V, 50-60Hz 0,28A
	Output: DC 5V, 2A max
Working Environment	Working temperature: 0 ~ 50°C;
	Storage temperature: -20 ~ 75°C
	Relative Humidity: 5%~90 % ( no condensation

#### Features:

- Conversion of optical signal between two same speed SFP modules.
- Supporting a full range of SFP modules, transmission speed, from 10Mbps~2.5Gbps.
- Supports OC3, OC12, OC48.
- Low delay.
- Multiple mounting options.
- Power : External PS.
- LED indicators: Power, FX Link 1, FX Link 2.
- Includes diagnostic LEDs.
- Excellent heat elimination without cooling fan.
- Harsh industrial environment.
- -0°C- 50°C extended operating temperature range.

**Other Specifications:**

Packing List

- 1× Media Converter
- 1×User Manual
- 1×power adapter

MTBF 100,000 hours

Weight & Size

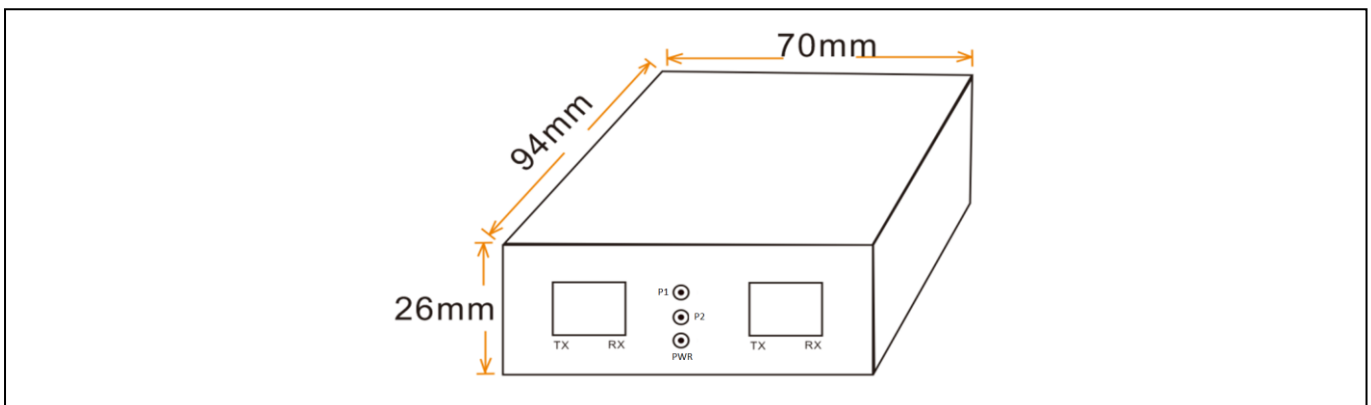
- Product Weight: 0.5 KG
- Packing weight: 1.1 KG
- Product size (L×W×H): 94mm× 70mm× 26mm
- Packing size(L×W×H): 215mm×138 mm× 56mm

Warranty 1-years

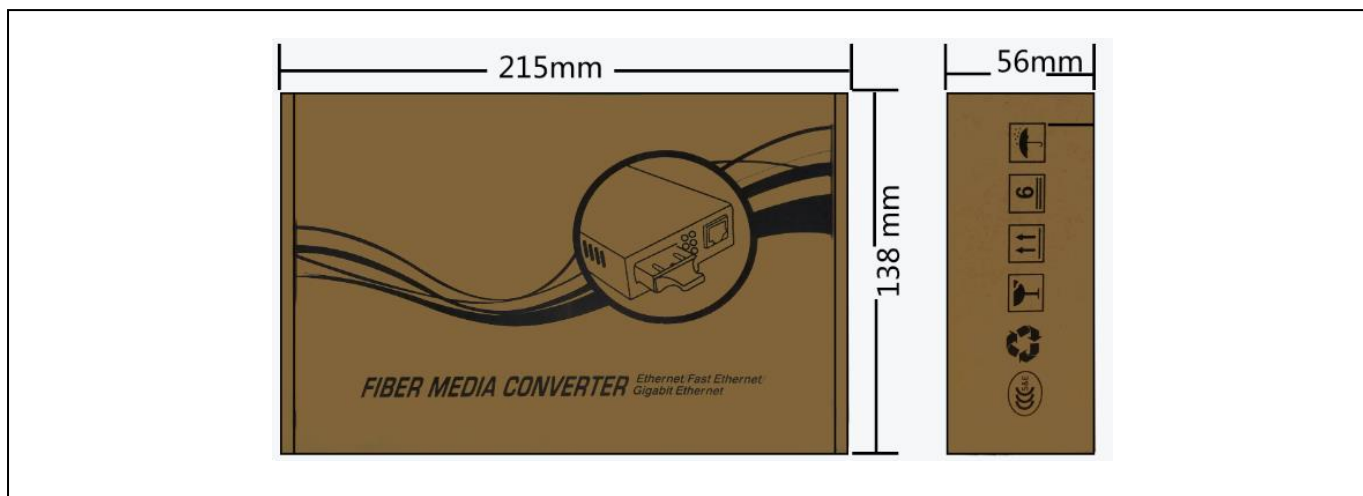
**Physical Pic Reference:**



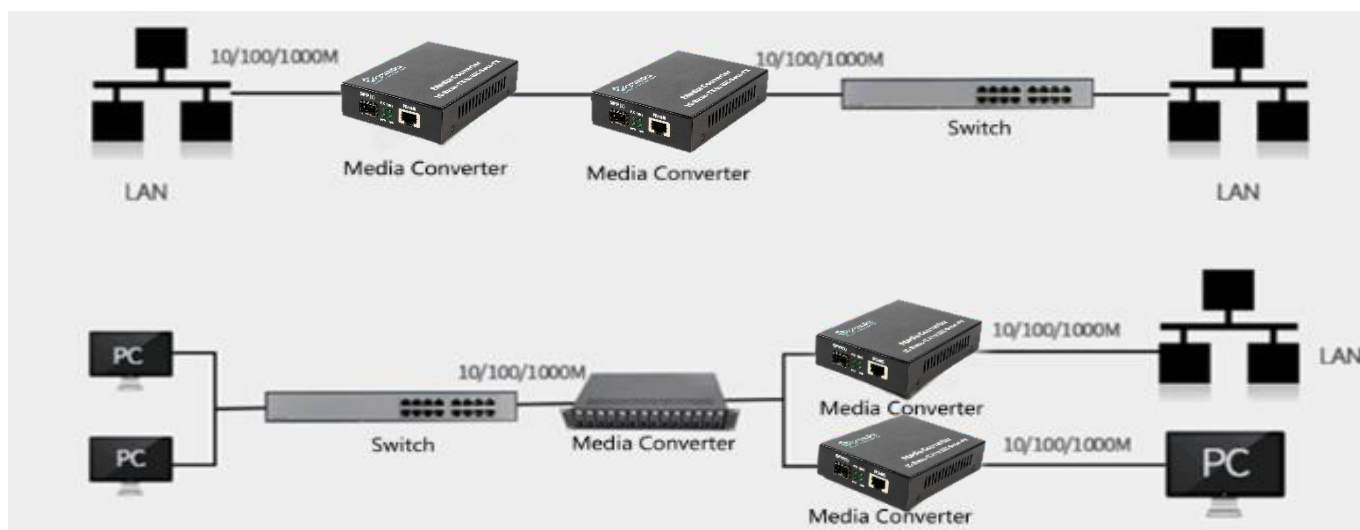
**Chassis Dimension:**



Package Dimension:



Solutions:



**Power Supply Standard:**

**Ordering Information:**

Product Model	Product description
LO-MC-1000C2S	10/100/1000Base-T RJ45, 1000M fiber port (SFP), without SFP module, external PS