

LO-OES-010-SCA-GPON-NB

2 channels Simplex OADM East Only in "ABS Box" with SC/APC connectors, wavelength: GPON band

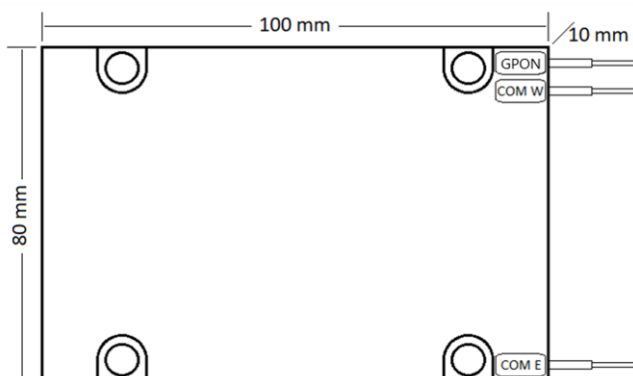
LightOptics LO-OES-010-SCA-GPON-NB Optical Add Drop Multiplexer (OADM) is a passive optical device used in CWDM networks for adding and dropping of GPON band, while letting the rest of the wavelengths by pass to the needed destination. LightOptics provides a series of standard and customized CWDM MUX, DEMUX and OADM devices packaged in plastic ABS box, LGX and 1U 19" rack to meet different requirements on port configuration, operating wavelength, package type.



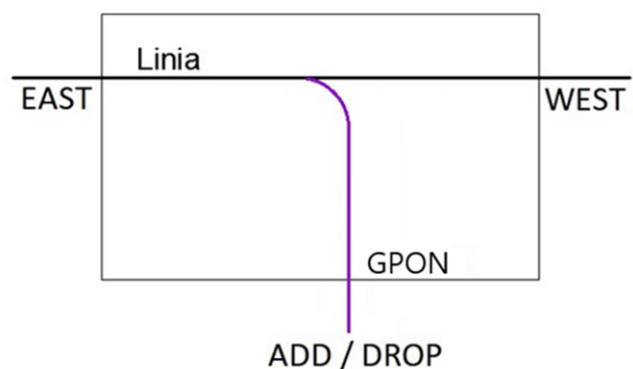
PARAMETERS

Operating Wavelength (nm)	GPON	COM W
Insertion Loss (dB)	<1.0	
Channel Ripple (dB)	< 0.3	
Polarization Dependent Loss (dB)	< 0.10	
PMD (ps)	< 0.10	
Adjacent Channels Isolation (dB)	> 30	
Non-Adjacent Isolation (dB)	> 40	
Directivity (dB)	> 50	
Return Loss (dB)	> 45	
Fiber Length (m)	1.0	
Fiber Type	SMF-28e with 2.0mm Loose Tube	
Connector	SC/APC	
Operating Temperature	-5°C ~ 75°C	
Storage Temperature	-40°C ~ 85°C	
Dimensions (mm) (L×W×H)	ABS Box: 100× 80× 10	
Package dimensions (mm) (L×W×H)	290× 257× 60	

MECHANICAL DIMENSIONS



STRUCTURE DIAGRAM

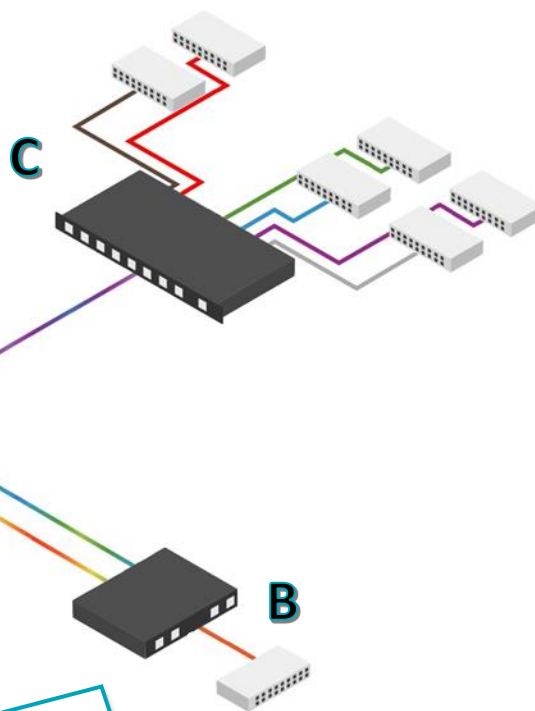
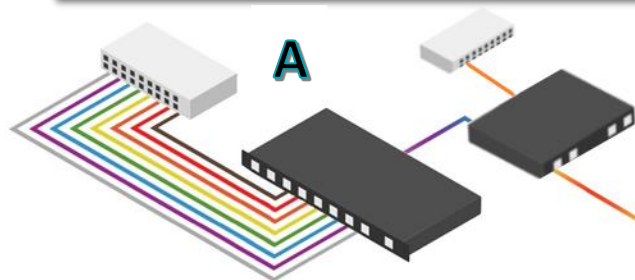


APPLICATION EXAMPLE

DEMULTIPLEXER LO-CDS-080-SCA-4761-NB

 Transmission 1 to loc A – Tx=**1530**, Rx=**1510**

 Transmission 2 to loc A – Tx=**1570**, Rx=**1550**

 Transmission 4 to loc A – Tx=**1610**, Rx=**1590**

MULTIPLEXER LO-CMS-080-SCA-4761-NB
OADM LO-OES-010-SCA-GPON-NB

 Transmission 1 to loc C – Tx=**1510**, Rx=**1530**

 Transmission 2 to loc C – Tx=**1550**, Rx=**1570**

 Transmission 3 to loc B – **GPON**

 Transmission 4 to loc C – Tx=**1590**, Rx=**1610**
OPTICAL ADD DROP MULTIPLEXER LO-OES-010-SCA-GPON-NB

 Transmission 3 to loc A – **GPON**

ORDER KEY

LO	-	O	E	S	-	01	0	-	SCA	-	GPON	-	N	B
LightOptics		OADM	East Only	SIMPLEX		Nr of channels	Nr of extension port		Conector type		Add/drop band		Monitoring port Y/N	ABS Box