

LO-MC-1000DMS

10/100/1000M Ethernet Fiber Media Converter

LO-MC-1000DMS Fiber Media Converter is the conversion equipment of Ethernet optical-electronic signals between 10/100/1000M copper interface and 1000M Fiber interface. The traditional 10/100/1000M Ethernet can be extended to the distance of 120km through optical fiber link. 6 Group LED indicated lights could fully monitor the working conditions of Converters. It is easy for users to observe the network operations. Series of Media Converters with reasonable price are especially designed for network users.

The converters can be used as a stand-alone unit or as a slide-in module to the LightOptics Media Converter Chassis, LO-MC-CH14AC. As the other LightOptics media converters, they're hot swappable in Chassis.



Technical Specifications:

Product Name	10/100/1000M Media Converter
Product Model	LO-MC-1000DMS
Interface	1x 10/100/1000Base-T RJ45 port + 1x 1000Mbps SFP port
Standards	IEEE802.3 10BASE-T
	IEEE802.3u 100Base-TX and 100Base-FX IEEE 802.3ab/z 1000Base-TX and 1000Base-SX/LX
Forwarding Mode	Store-and-Forward
LED Indicators	PWR, 100, 1000, FX Link/Act, TP Link/Act, FDX
Forwarding Rate	100M: 1488000pps/port
	1000M: 1488000pps/port
Network Media	10BASE-T: Cat3,4,5 UTP(≤100 meter),
	100BASE-TX: Cat5 or later UTP(≤100 meter), 1000BASE-TX: Cat6 or later UTP(≤100 meter)
Fiber Media	SFP Slot
Power Supply (external power)	Input: AC 100-250V, 50-60Hz 0,28A
	Output: DC 5V, 2A max
Working Environment	Working temperature: 0 ~ 50°C;
	Storage temperature: -20 ~ 75°C
	Relative Humidity: 5%-90 % (no condensation)

Features:

- 1 Port 10/100/1000Mbps with Auto Uplink™, 1 port 1000Mbps SFP.
- 10/100/1000Mbps Auto-negotiation, auto-MDI-MDI-X.
- Comply with IEEE 802.3, IEEE 802.3u, IEEE 802.3ab/z, 10/100/1000Base-TX, 1000Base-FX Standard.
- LED indicators for monitoring power, link, activity status.
- Supports 10/100/1000Mbps-Full/Half-duplex.
- Supports 10/100/1000M Auto-negotiation.
- Supporting 1552 bytes packet.
- Data Transfer Rate:
 - TP: 10/100/1000Mbps
 - FX: 1000Mbps
- Supports link fault pass through function.
- Design of internal or external power supply.
- Internal circuit of prevented thunder could greatly reduce damage of the converter caused by thunderbolt induction.
- Harsh industrial environment.
- -0°C- 50°C operating temperature range.

Other Specifications:

Packing List 1× Media Converter
 1×User Manual
 1×power adapter

MTBF 100,000 hours

Weight & Size Product Weight: 0.5 KG
 Packing weight: 1.1 KG
 Product size (L×W×H): 94mm× 70mm× 26mm
 Packing size(L×W×H): 215mm×138 mm× 56mm

Warranty 1-years

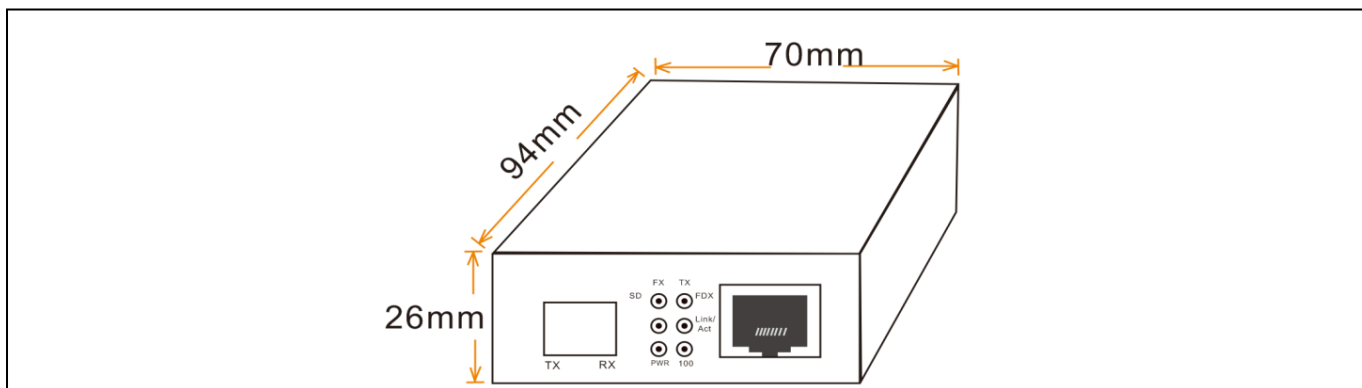
DIP Switch:

SW1	ON	Enable Jumbo Frames
	OFF	Disable Jumbo Frames
SW2	ON	Enable Link Fault Pass-Through
	OFF	Disable Link Fault Pass-Through
SW3	ON	FX Speed 100Mbps
	OFF	FX Speed 1000Mbps
SW4	ON	Enable Flow Control
	OFF	Disable Flow Control

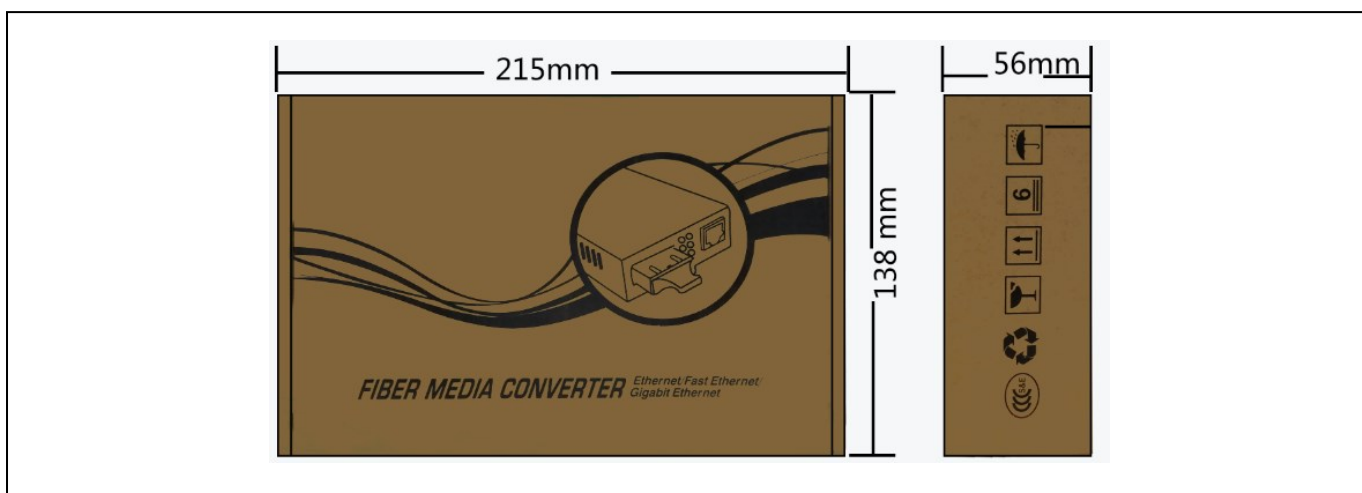
Physical Pic Reference:



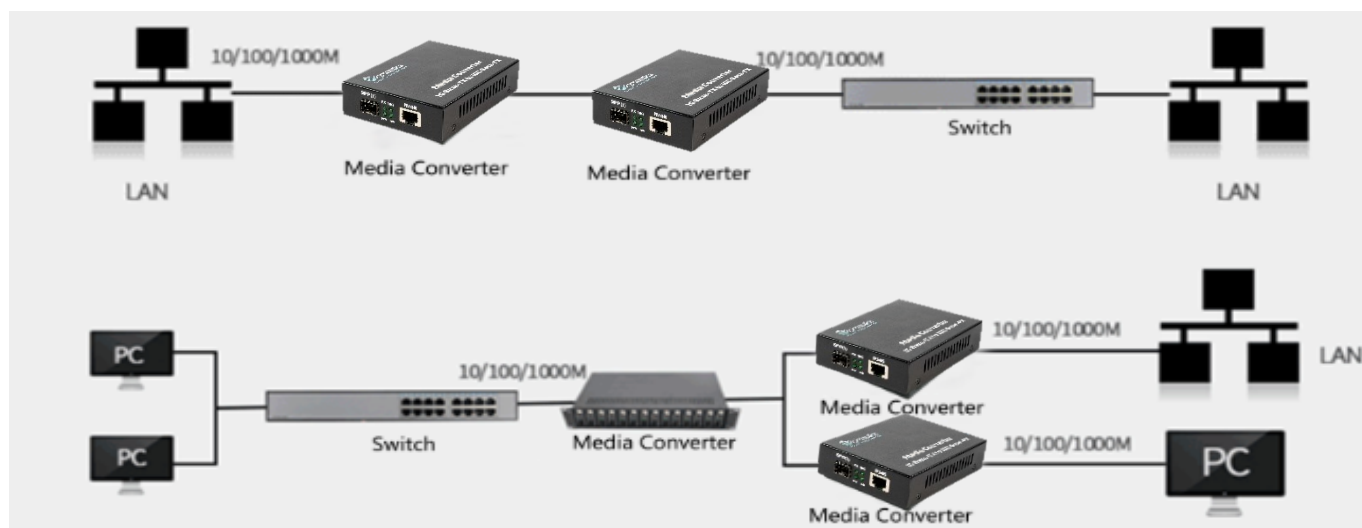
Chassis Dimension:



Package Dimension:



Solutions:



Power Supply Standard:



Ordering Information:

Product Model	Product description
LO-MC-1000DMS	10/100/1000Base-T RJ45, 1000M fiber port (SFP), without SFP module, external PS